

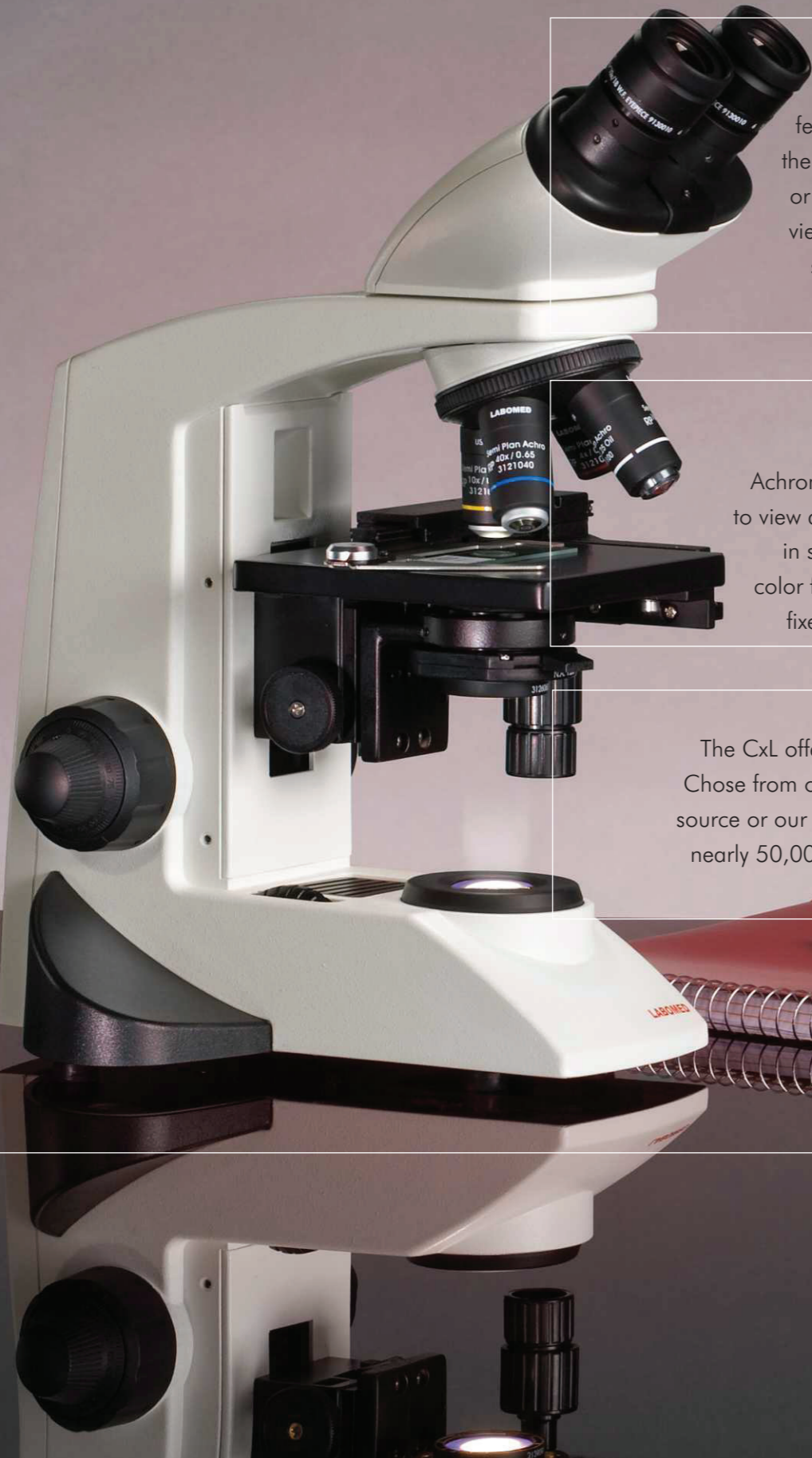
CxL

Laboratory Microscopy



LABOMED
ideas for vision

Where Style Meets Function



1 Our Secure Rotation feature enables you to rotate the viewing tube without strain or mechanical wear while the viewing tube is secured to the stand. Focusable eyepieces provide greater control.

2 Our LP series Semi Plan Achromatic objectives enable you to view an assortment of specimens in sharp contrast and with true color fidelity. Factory pre-centered fixed condenser is a standard.

3 The CxL offers flexibility in illumination. Chose from our efficient 6v20w halogen source or our super bright LED, providing nearly 50,000 hours of operation in the near daylight spectrum.

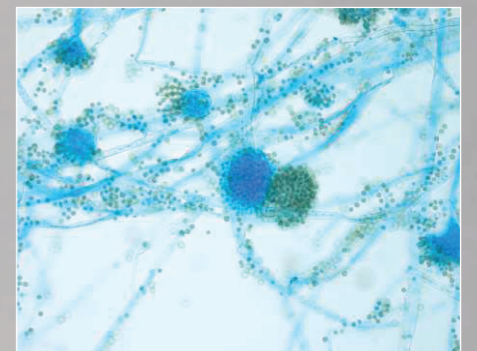
CxL

Adapted for both classroom and lab environments, the new CxL reflects a fresh design and delivers a rugged exterior with quality optical and mechanical ingredients for a lifetime of carefree use. This next generation microscope asserts its sophistication not only by design, but also through flawless functionality. In light of the latest in manufacturing technology, the highly modular CxL can offer you a high degree of performance for various applications.

With all LEAD free optical components and paints, the CxL is an environment friendly solution.

And best of all, you won't need to break the bank to own one!

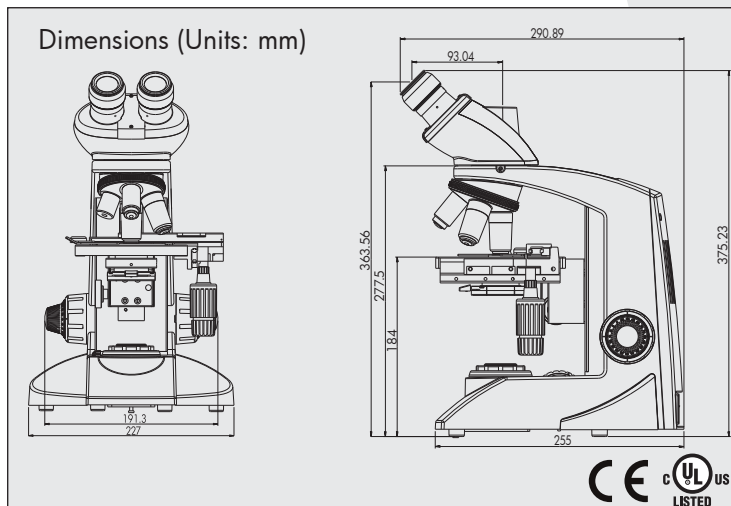
All contact surfaces are treated with antimicrobial agents to ensure zero point-of-contact bacterial contamination.



CxL Laboratory Microscope

| Item | Specifications |
|------------------------|---|
| - Stand | Single mold sturdy stand with anti rust materials. Extended base for better stability |
| - Viewing Bodies | 45° inclined, 360° rotatable dovetail, Inter pupillary distance 54 - 74mm |
| - Eyepiece | Wide field focusable paired eyepiece* 10x/18mm with foldable eye guard, lockable, antifungal |
| - Nosepiece | Quadruple Nosepiece (Ball bearing type) with rubber grip |
| - Objectives | LP series DIN Semi Plan Achromatic objectives* 4x, 10x, 40x (spring loaded), 100x (spring loaded, oil), anti fungal |
| - Mechanical stage | Rectangular stage size 135 x 124mm, X/Y travel range 76mm x 50mm. Low drive movement controls, single specimen holder |
| - Condenser | Sub stage Abbe condenser NA 1.25 with aspheric lens* . Iris diaphragm with snap-in blue filter. Rack and pinion movements on metal guides |
| - Focusing | Co-axial coarse and fine focusing on ball drive system for smooth operation. Fine drive movement 0.3mm/rotation |
| - Illumination | LED† or Halogen 6V-20W illumination with variable illumination control. Up to 50,000 hours of LED life and 2,000 hours of Halogen lamp life |
| - Electricals | Universal input 100V - 240V AC, 50/60Hz. Built in voltage stabilizer |
| - Optional accessories | Phase contrast kit with 10x/40x LP series Phase objective, Polarizing kit, Dark field kit, Green Filter, Video adapter, Labomed Digital cameras |

Specifications



Configurations

| Description | Configuration | Cat. No. |
|--------------------------|----------------------------------|----------|
| Halogen | | |
| 3 obj. 4x, 10x, 40x (SL) | Monocular, Integrated Eyepiece | 9135000 |
| Standard* | Monocular, Integrated Eyepiece | 9135001 |
| Standard* | Binocular | 9135002 |
| Standard* | Trinocular | 9135003 |
| Standard* | Trinocular, Digital 3.0MP camera | 9135400 |
| LED† | | |
| Standard* | Monocular, Integrated Eyepiece | 9135005 |
| Standard* | Binocular | 9135006 |
| Standard* | Trinocular | 9135007 |
| 3 obj. 4x, 10x, 40x (SL) | Monocular, Integrated Eyepiece | 9135008 |
| Standard* | Trinocular, Digital 3.0MP camera | 9135500 |

* Standard versions are with 4 objectives 4x, 10x, 40x (SL) and 100x (SL, oil)
 † LED version is with rechargeable battery and detachable power cord
 * All optical components are made of environment friendly LEAD free optical glass.

Labo America, Inc.
 920 Auburn Ct.
 Fremont, CA 94538
 U.S.A.
 Tel: (510) 445-1257
 Fax: (510) 445-1317
 E-mail: sales@laboamerica.com
www.laboamerica.com



Distributor